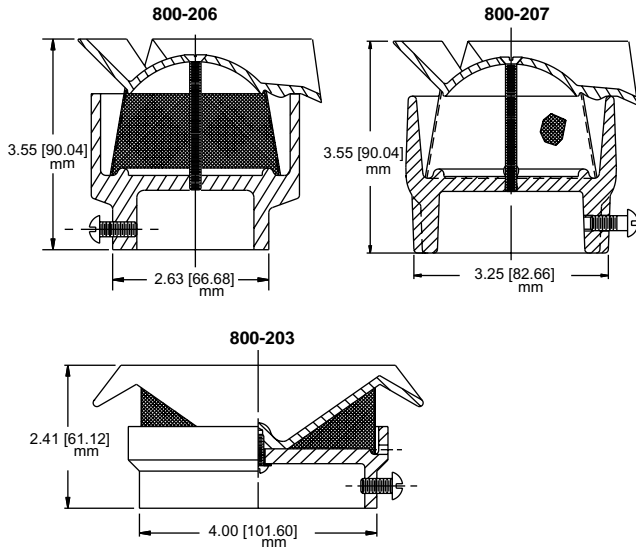


Tank Vents

Model 800 Tank Vents

EBW's tank vents are designed to provide an open path for vapors from an underground or aboveground storage tank to the atmosphere.



Part No.	Size	mm	Lbs.	Kg	Installation
800-206-01	1.50	38	1.00	.45	screw type
800-207-02	2.00	51	1.00	.45	screw type
800-203-01	3.00	76	1.19	.54	screw type

Features

- Dome shaped top design drains off moisture including rain snow, and ice
- 30 mesh flame arresting screen prevents dirt and debris from entering vent lines

Materials

Body: Aluminum
Screen: Brass
Set Screws: Zinc Plated Steel

