

EMERGENCY VENTS

NEW!  **LISTED!**



370

Part No.	Size	A	B/BC	C
0370-01-8000	8"	13 1/2"	11 3/4"	4 1/8"
0370-01-1000*	10"	16"	14 1/4"	4 1/8"

*Aluminum Base

Features

Eliminates the need for pipe nipple on installation. Hole patterns conforms to ANSI B16.5 specifications. Machined base and top with Buna N "O" Ring provides vapor tight seal. Air flow at 2.5 psi is 448,054 SCFH for the 8" and 672,108 SCFH for the 10", both with screens.



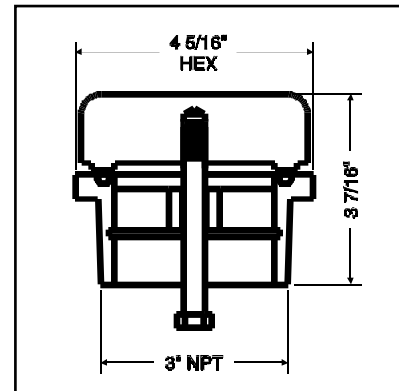
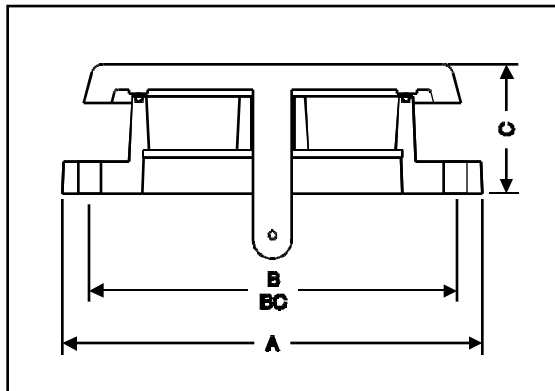
365

Part No.	Size	Wt.lbs
0365-01-3000	3"	10.0
0365-03-3000*	3"	5.1

*Aluminum base

Features

Heavy duty cast iron top and base for durability, (aluminum base available). Machined top and base with a Buna-N "O" Ring provide a vapor tight seal. Air flow at 2.5psi is 43,770 SCFH with screen. The screen minimizes the chances of vandalism and theft. 3" NPT male threads are standard.



EMERGENCY VENTS

NEW!  **LISTED!**



354



369

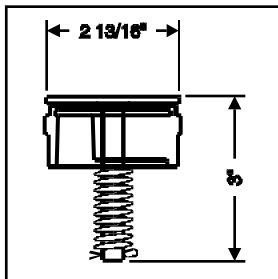
Part No.	Size	Wt.lbs
0354-02-2000	2"	0.9

Part No.	Size	A NPT	Wt.lbs	B
0369-01-4000	4"	19.0	3 9/16"	
0369-01-6000	6"	28.0	3 15/16"	
0369-01-8000	8"	38.0	3 3/4"	
0369-03-4000*	4"	17.0	3 9/16"	
0369-03-6000*	6"	26.0	3 15/16"	
0369-03-8000*	8"	36.0	3 3/8"	

*Aluminum base

Features

A spring loaded pressure relief vent made of brass and contains a brass screen and gasket to insure a tight seal. Air flow at 2.5 psi with screen is 17,707 SCFH, and 19,218 SCFH without screen.

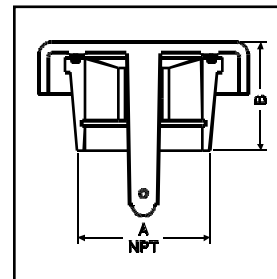


Features

Male thread, "mushroom" style top design emergency vent made of heavy duty cast iron, (aluminum base available). Top acts as weather deflector and minimizes the chance of theft or vandalism. Machined top & base with Buna N "O" Ring provides a vapor tight seal.

Air flow:

4"	77,415 SCFH	with screen
6"	210,527 SCFH	with screen
8"	477,033 SCFH	with screen



EMERGENCY VENTS

NEW!  **LISTED!**



367



368

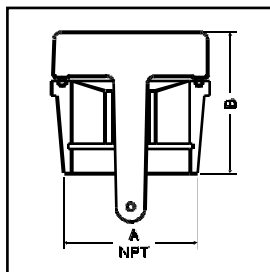
Part No.	Size	A NPT Wt.lbs	B
0367-01-4000	4"	17.0	4 11/16"
0367-01-6000	6"	26.0	5 1/8"
0367-03-4000*	4"	14.0	4 11/16"
0367-03-6000*	6"	25.0	5 1/8"

*Aluminum Base

Features

Slimline style is ideal for limited space applications. Heavy duty cast iron top and base with aluminum bases available. Machined top and base with a Buna N "O" Ring provide a vapor tight seal. 4" or 6" male NPT thread standard. Screen minimizes chances of theft or vandalism. Airflow:

- 4" - 91,076 SCFH with screen
- 6" - 227,191 SCFH with screen



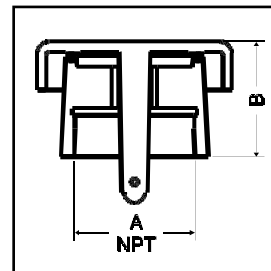
Part No.	Size	A NPT Wt.lbs	B
0368-01-4000	4"	21.0	4 1/8"
0368-01-6000	6"	31.0	5"
0368-01-8000	8"	41.0	4 1/8"
0368-03-4000*	4"	19.0	4 1/8"
0368-03-6000*	6"	28.0	5"
0368-03-8000*	8"	37.0	4 1/8"

*Aluminum Base

Features

Female thread, hood design made of heavy duty cast iron top and base with aluminum bases available. Hood design acts as a weather deflector and minimizes chances of theft or vandalism. Machined top & base with Buna N "O" Ring provides a vapor tight seal. Airflow:

- 4" - 77,415 SCFH with screen
- 6" - 210,527 SCFH with screen
- 8" - 477,033 SCFH with screen



NEW!  **LISTED!**



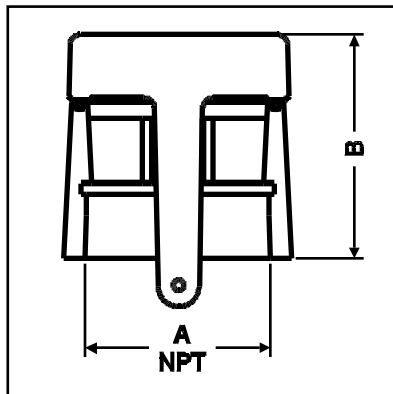
366

Part No.	Size	A NPT Wt.lbs	B
0366-01-4000	4"	17.6	5 3/16"
0366-01-6000	6"	27.6	6 1/4"
0366-03-4000*	4"	10.2	5 3/16"
0366-03-6000*	6"	19.3	6 1/4"

*Aluminum Base

Features

Slimline style is ideal for limited space situations. Durable cast iron top and base with aluminum bases available. Machined top and base with a Buna N "O" Ring provide a vapor tight seal. Air flow at 2.5psi is 91,076 SCFH for 4" with screen and 227,191 SCFH for 6" with screen. 4" or 6" NPT female thread is standard.



Emergency Vent

Airflow Capacity Chart

SCFH=Standard Cubic Feet Per Hour @ 2.5 psig
Screens are standard 4 mesh galvanized steel.
Clay & Bailey emergency vents are flow tested and UL listed.

Size	Part No.	Capacity w/o Screen	Capacity w/Screen
2"	0354-02-2000	19,218	17,707
3"	0365-01-3000	46,983	43,770
3"	0365-03-3000	46,983	43,770
4"	0366-01-4000	105,460	91,076
4"	0367-01-4000	105,460	91,076
4"	0368-01-4000	89,641	77,415
4"	0369-01-4000	89,641	77,415
4"	0366-03-4000	105,460	91,076
4"	0367-03-4000	105,460	91,076
4"	0368-03-4000	89,641	77,415
4"	0369-03-4000	89,641	77,415
6"	0366-01-6000	267,284	227,191
6"	0367-01-6000	267,284	227,191
6"	0368-01-6000	227,988	210,527
6"	0369-01-6000	227,988	210,527
6"	0366-03-6000	267,284	227,191
6"	0367-03-6000	267,284	227,191
6"	0368-03-6000	227,988	210,527
6"	0369-03-6000	227,988	210,527
8"	0368-01-8000	553,507	477,033
8"	0369-01-8000	553,507	477,033
8"	0368-03-8000	553,507	477,033
8"	0369-03-8000	553,507	477,033
8"	0370-03-8000	518,821	448,054
10"	0370-01-1000	788,616	672,108

