

A2392 (9712)

KRAISSL TRANSFER VALVES MODEL 72AAF(H) SERIES - CAST IRON SIZES, RATINGS AND DIMENSIONS

TABLE OF DIMENSIONS - INCHES

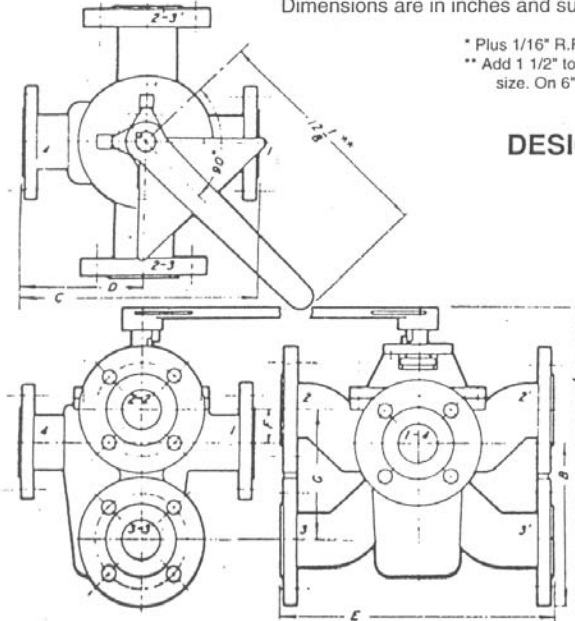
MODEL	PIPE SIZE	FLG. DIA.	B. C. DIA.	NO. BOLT HOLES	BOLT HOLE DIA.	R. F. DIA.	MIN. FLG. THK.*	APPROX. WGT. LBS.	A**	B	C	D	E	F	G
CLASS 125 ANSI FLANGES - 200 PSIG MAX. W. P.															
72-37AAF	1 1/2	5	3 7/8	4	5/8	N. A.	9/16	55	14 1/2	7 7/8	9 3/8	4 15/16	10	1	6 3/8
72-39AAF	2	6	4 3/4	4	3/4	N. A.	5/8	90	16 3/8	9 5/16	12	6 1/4	12	7/16	6 3/4
72-41AAF	2 1/2	7	5 1/2	4	3/4	N. A.	11/16	120	17 7/8	10 13/16	12 5/8	6 1/2	13	7/16	7 3/4
72-43AAF	3	7 1/2	6	4	3/4	N. A.	3/4	141	18 7/16	11 3/8	12 1/2	6 7/8	14	1/8	7 3/4
72-47AAF	4	9	7 1/2	8	3/4	N. A.	15/16	250	19 3/4	12 1/16	15 5/8	9	21	2 11/16	10 1/4
72-51AAF	6	11	9 1/2	8	7/8	N. A.	1	510	29 3/8	12 1/2	24	12	26	4 3/4	11 1/2
72-53AAF	8	13 1/2	11 3/4	8	7/8	N. A.	1 1/8	1300	36 7/8	15 1/8	32 1/2	15 1/2	30 1/2	7 3/8	14
CLASS 250 ANSI FLANGES - 400 PSIG MAX. W. P.															
72-37AAFH	1 1/2	6 1/8	4 1/2	4	7/8	3 9/16	3/4	75	15 1/16	8 7/16	9 3/8	4 15/16	10	1	6 3/8
72-39AAFH	2	6 1/2	5	8	3/4	4 3/16	13/16	110	16 5/8	9 9/16	12	6 1/4	12	7/16	6 3/4
72-41AAFH	2 1/2	7 1/2	5 7/8	8	7/8	4 15/16	15/16	145	18 1/8	11 1/16	12 5/8	6 1/2	13	7/16	7 3/4
72-43AAFH	3	8 1/4	6 5/8	8	7/8	5 11/16	1 1/16	170	19 3/16	12 1/8	12 1/2	6 7/8	15	1/2	8 1/2
72-47AAFH	4	10	7 7/8	8	7/8	6 15/16	1 3/16	295	20 1/4	12 9/16	15 5/8	9	21	2 11/16	10 1/4

Dimensions are in inches and subject to casting and production variations.

* Plus 1/16" R.F. on Class 250 flanges. Class 125 flanges are flat faced.
** Add 1 1/2" to "A" dimension if unit is furnished with lifting jack thru 4" size. On 6" & 8", lifting jack is included & handle length is 14".

DESIGNED FOR CONTINUOUS FLOW.

**PORT INTERCONNECTIONS:
IN POSITION SHOWN - 1 & 2, 3 & 4
IN OTHER POSITION - 1 & 2', 3' & 4'**



THE KRAISSL COMPANY, INC.
299 WILLIAMS AVENUE
HACKENSACK, NJ 07601-5225
Phone:(201)342-0008, Fax:(201)342-0025
E-mail: Kraissl@aol.com
Website: <http://www.strainers.com>

A2392 (9712)