

# Emergency Vents

## Model 803 Aboveground Emergency Vents

EBW's Model 803 Aboveground Emergency Vents are designed to work in conjunction with EBW's Model 802 Pressure vacuum vents to prevent an aboveground storage tank from becoming over pressurized in the event of a fire or blockage. When the aboveground tank reaches a determined pressure, the cast iron lid will raise up and allow the pressure to release. When the pressure releases, the cast iron cover will lower and reseal. The sturdy cast iron body and lid, along with the fluorocarbon O-ring, provide a tight seal when closed. All EBW aboveground tank vents are designed to open at 8oz. pressure.



### Materials

**Body: Cast Iron**

**Lid: Cast Iron**

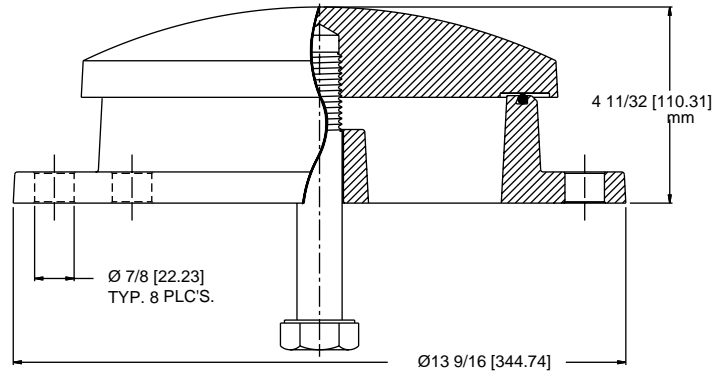
**Seal: Fluorocarbon**

### Features

- Several sizes and styles are available- 4", 6", and 8" male and female models. 8" model also available with a flange mount
- UL Listed
- Fluorocarbon O-Ring Seal

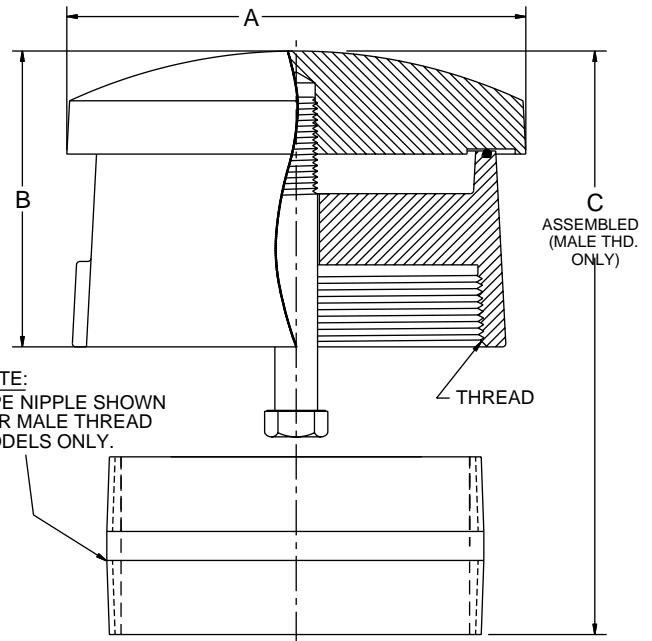
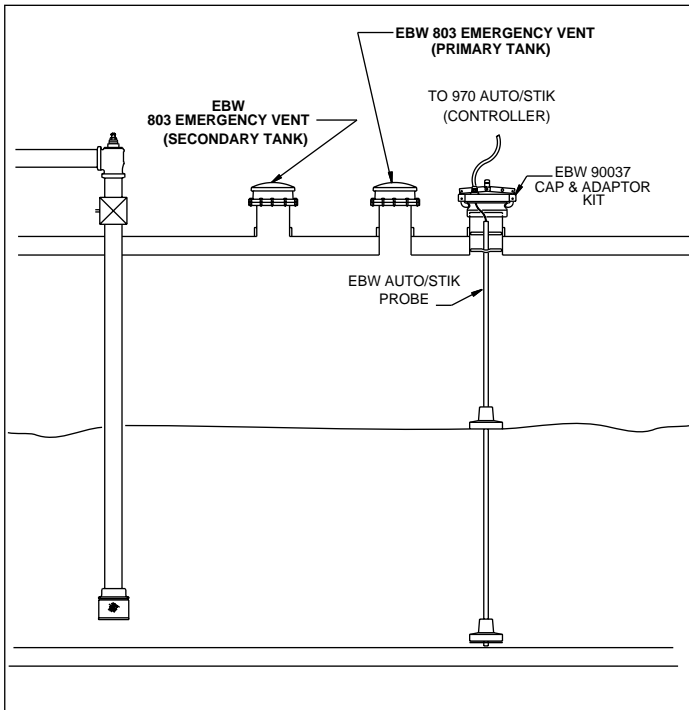
### Certifications / Listings

ULC - file MH 25961



Part No.	Size		Connection	Lbs.	Kg.
	Inches	mm			
803-200-01	4"	102	Female	14.0	6.35
803-300-01	4"	102	Male	14.0	6.35
803-205-01	6"	152	Female	30.0	13.6
803-303-01	6"	152	Male	30.0	13.6
803-208-01	8"	203	Flange	40.2	18.23
803-304-01	8"	203	Male	40.2	18.23
803-308-01	8"	203	Female	40.2	18.23

Vent Size in.	mm.	@ 2.5 PSI = SCFH
4"	102	96,000 SCFH
6"	152	233,000 SCFH
8"	203	411,000 SCFH



MODEL	"A"	"B"	"C"	THREAD
803-200-01	Ø 6" [154.80 mm]	4 1/2" [115.14 mm]	-	4" NPT
803-205-01	Ø 8 1/16" [204.73 mm]	5 3/16" [131.95 mm]	-	6" NPT
803-308-01	Ø 10 1/2" [268.17 mm]	5 1/2" [141.94 mm]	-	8" NPT
803-300-01	Ø 6" [154.80 mm]	4 1/2" [115.14 mm]	6 3/8" [161.93 mm]	4" NPT
803-303-01	Ø 8 1/16" [204.73 mm]	5 3/16" [131.95 mm]	6 13/16" [172.97 mm]	6" NPT
803-304-01	Ø 10 1/2" [268.17 mm]	5 1/2" [141.94 mm]	7 3/8" [187.32 mm]	8" NPT